

# BORING INSTRUCTIONS

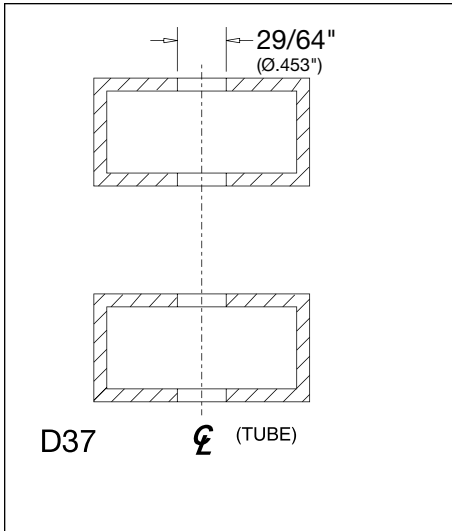
## INVISIWARE® RECEIVER

Used with double end post construction using 2"x1" or 3"x1" rectangular tubing with 1-inch spacers.

Part Nos.

R-6-12 through R-6-62

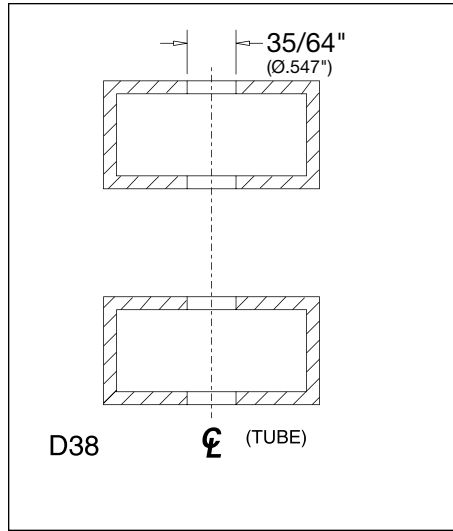
Cable Dia: 1/8" and 3/16"



Part Nos.

R-8-22 through R-8-52

Cable Dia: 1/4"

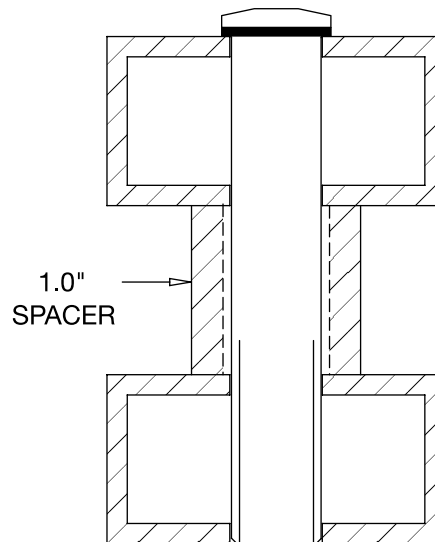
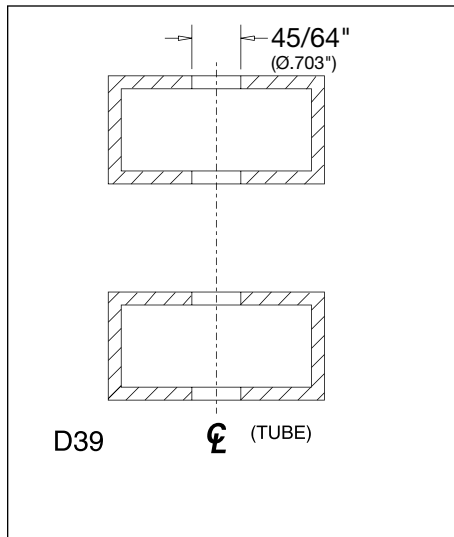


Part Nos.

R-12-32 through R-12-52

Cable Dia: 5/16" and 3/8"

Drill 4 places



Invisiware® Receiver used with double end post construction using rectangular tubing with 1-inch spacers.

# BORING INSTRUCTIONS

## INVISIWARE® RECEIVER

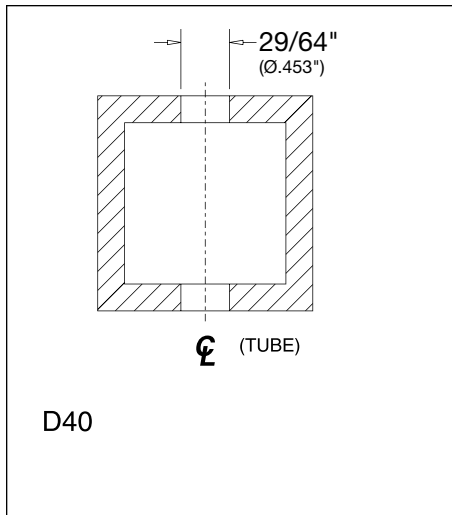
Used with square or rectangular tubing. We recommend a minimum 1/4" wall.

Part Nos.

R-6-12 through R-6-62

Cable Dia: 1/8" and 3/16"

Drill 2 places

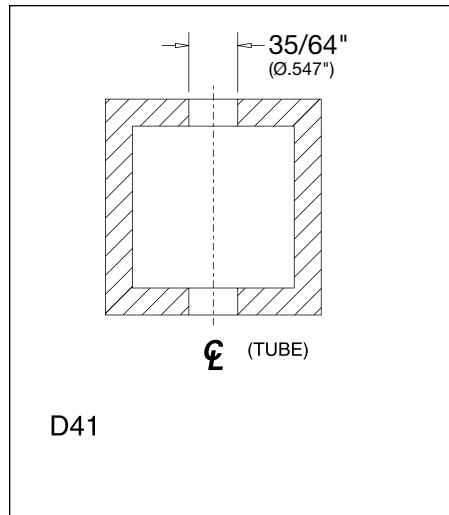


Part Nos.

R-8-22 through R-8-52

Cable Dia: 1/4"

Drill 2 places

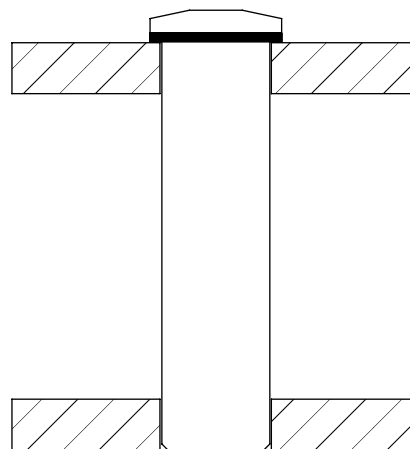
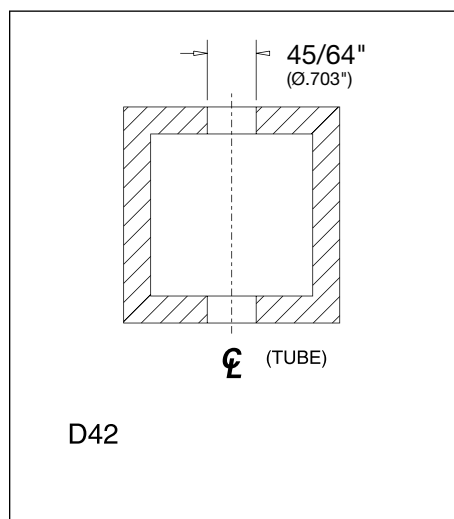


Part Nos.

R-12-32 through R-12-52

Cable Dia: 5/16" and 3/8"

Drill 2 places



Invisiware® Receiver used square or rectangular tubing.

# BORING INSTRUCTIONS

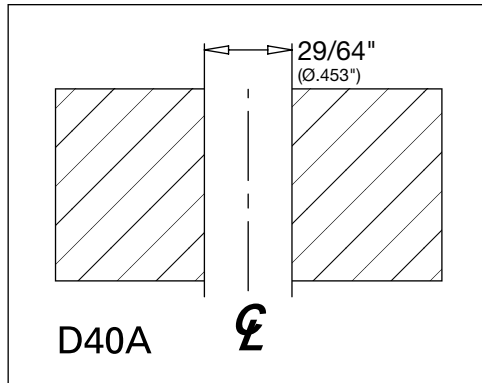
## INVISIWARE® RECEIVER

Used with flat bar or steel plate.

Part Nos.

R-6-12 through R-6-62

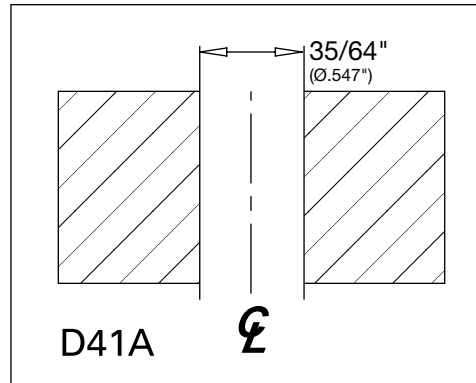
Cable Dia: 1/8" and 3/16"



Part Nos.

R-8-22 through R-8-52

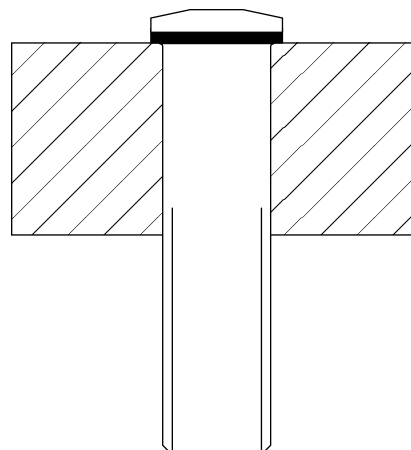
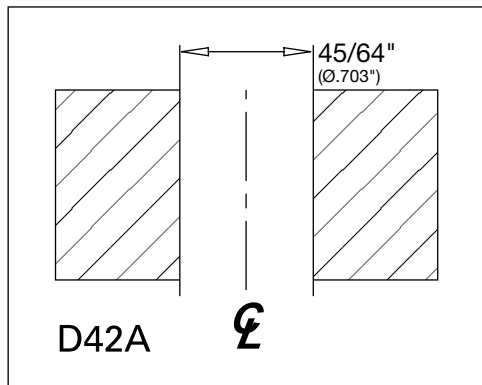
Cable Dia: 1/4"



Part Nos.

R-12-32 through R-12-52

Cable Dia: 5/16" and 3/8"



Invisiware® Receiver used with flat bar or steel plate.

# BORING INSTRUCTIONS

## INVISIWARE® RECEIVER

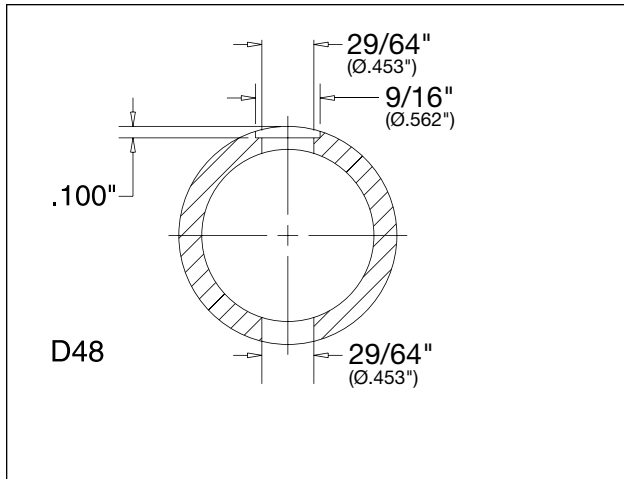
Used with minimum SC80 round pipe or round steel tubing.

If using round steel tubing, wall thickness should be at least comparable to SC80 pipe.

### Part Nos.

R-6-12 through R-6-62

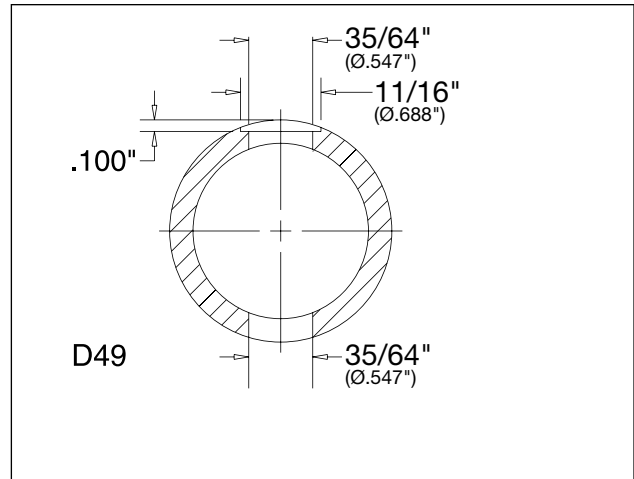
Cable Dia: 1/8" and 3/16"



### Part Nos.

R-8-22 through R-8-52

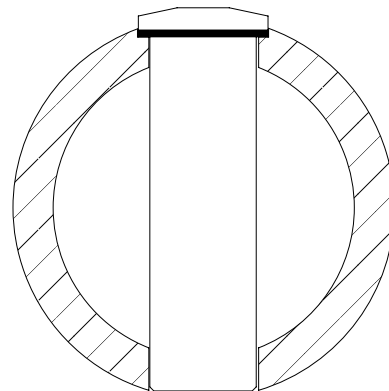
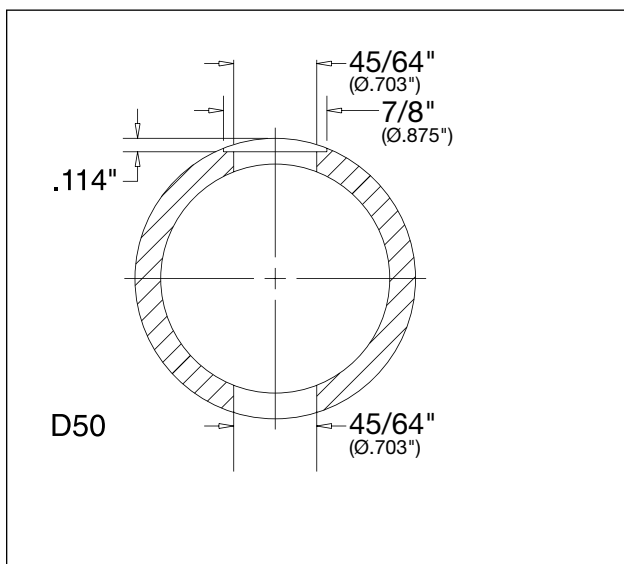
Cable Dia: 1/4"



### Part Nos.

R-12-32 through R-12-52

Cable Dia: 5/16" and 3/8"



Invisiware® Receiver used with pipe.