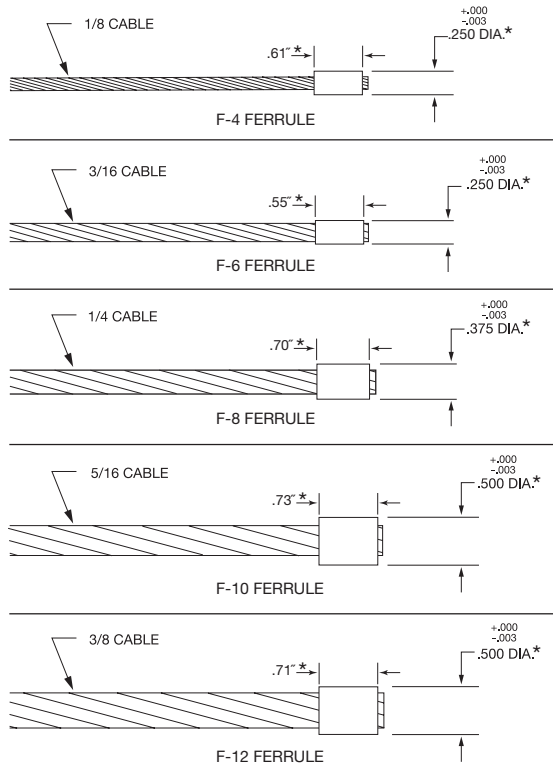


SWAGING FERRULE

The Swaging Ferrule is used to retain an Adjust-A-Jaw®, Adjust-A-Body® or a Fixed Jaw onto a piece of cable.



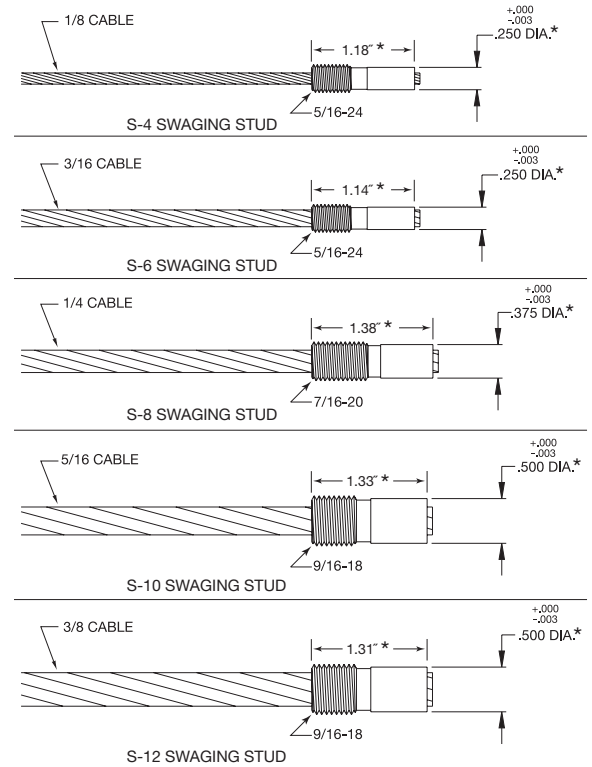
*After swaging



MATERIAL: TYPE 316 STAINLESS STEEL

SWAGING STUD

The Swaging Stud is used in conjunction with an Invisiware® receiver or Welded Receiver. This fitting provides a means of tensioning a cable in as small an area as is feasible. The threaded surface of the stud is treated with a moly-based surface treatment that is baked on. This will prevent thread galling and sticking under extreme loads and environments.



*After swaging



MATERIAL: TYPE 316 STAINLESS STEEL

All Ultra-tec® hardware is manufactured in the United States of America.

East Coast Cable Solutions
17 Woodside Ave., Thurmont, MD 21788
Phone 240-288-8050 • Fax 240-288-8041



Ultra-tec®
CABLE RAILING SYSTEMS