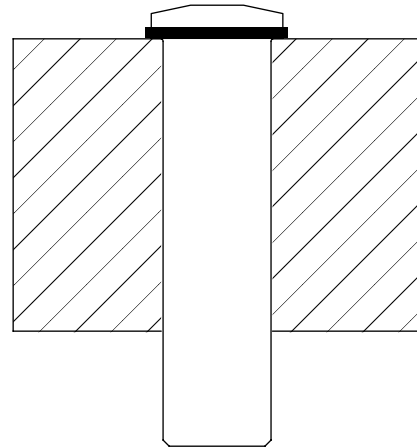
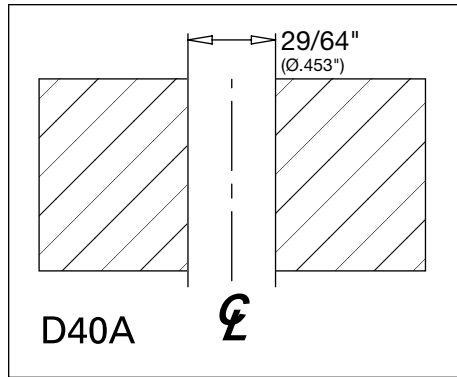


BORING INSTRUCTIONS

PUSH-LOCK™ and PULL-LOCK™ STOP-END FITTINGS

Used with flat bar or steel plate.

Cable Dia: 1/8" and 3/16"

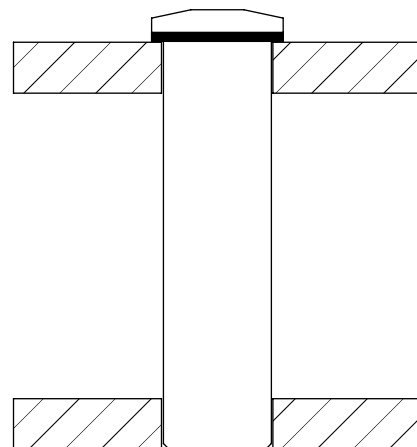
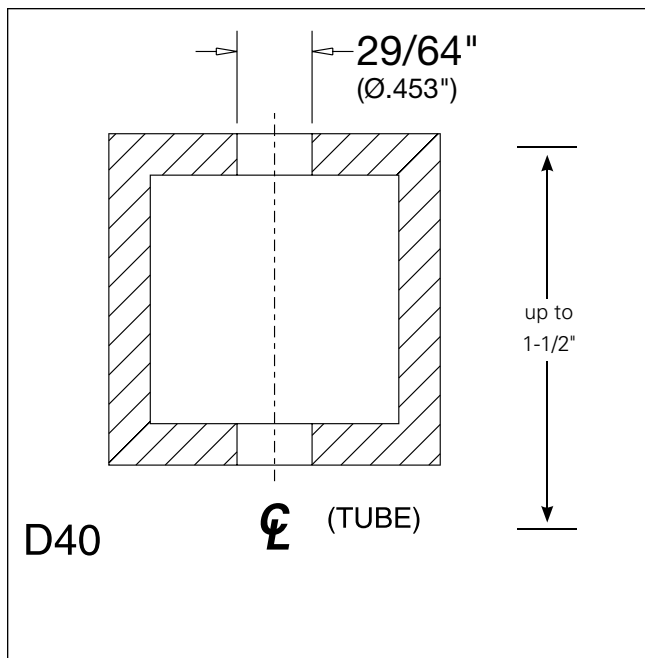


Push-Lock™ or Pull-Lock™ fitting used with flat bar or steel plate.

PUSH-LOCK™ and PULL-LOCK™ STOP-END FITTINGS

Used with square or rectangular tubing up to 1-1/2" in through direction. We recommend a minimum 1/4" wall.

Cable Dia: 1/8" and 3/16"



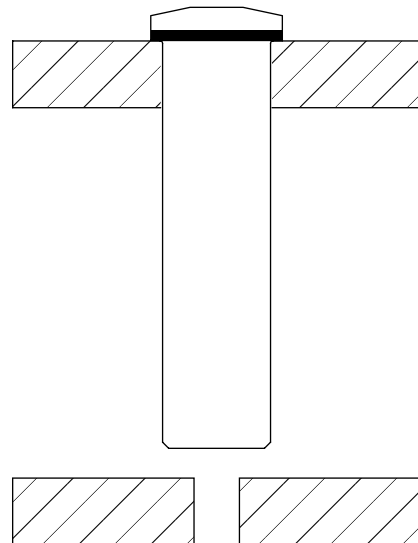
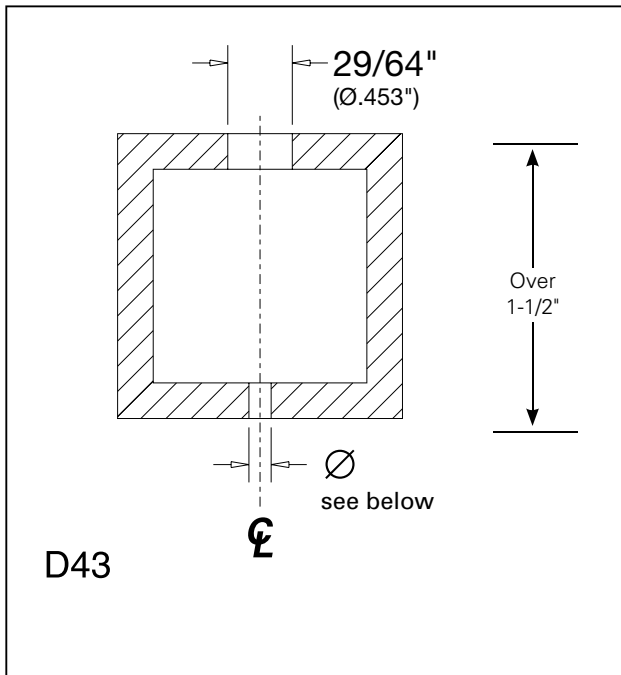
Push-Lock™ or Pull-Lock™ fitting used with square or rectangular tubing.

BORING INSTRUCTIONS

PUSH-LOCK™ and PULL-LOCK™ STOP-END FITTINGS

Used with square or rectangular tubing over 1-1/2" outside-to-inside tube dimension in through direction. We recommend a minimum 1/4" wall.

Cable Dia: 1/8" and 3/16"



Push-Lock™ or Pull-Lock™ fitting used with square or rectangular tubing.

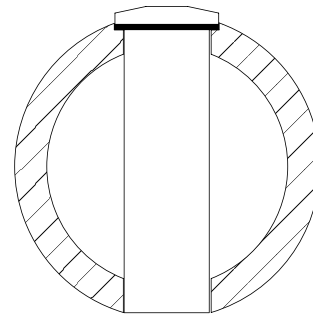
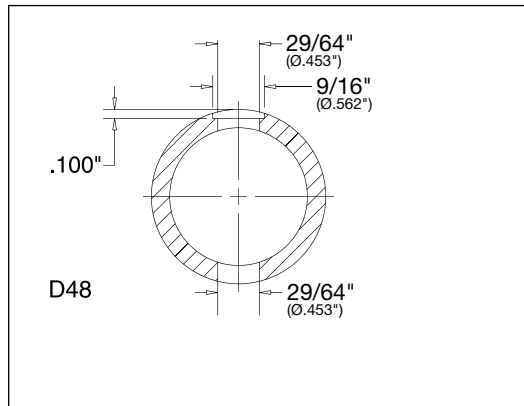
Cable Diameter	Hole Diameter
1/8"	5/32" (.156")
3/16"	7/32" (.218")
with grommet installed	1/4" (.250")

BORING INSTRUCTIONS

PUSH-LOCK™ and PULL-LOCK™ STOP-END FITTINGS

Used with minimum SC80 1-1/4" round pipe or round steel tubing with comparable dimensions.

Cable Dia: 1/8" and 3/16"

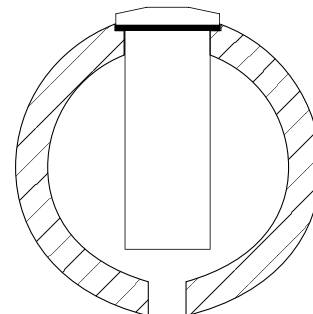
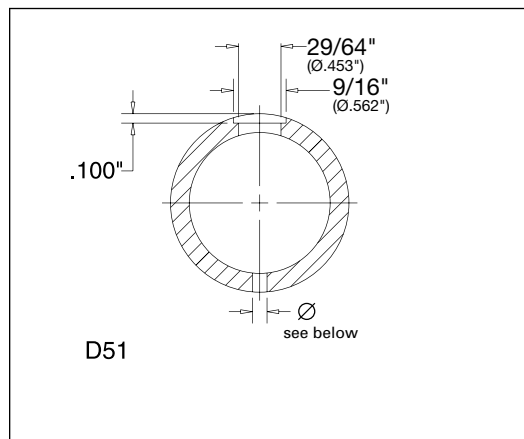


Push-Lock™ or Pull-Lock™ fitting used with round pipe or tubing.

PUSH-LOCK™ and PULL-LOCK™ STOP-END FITTINGS

Used with minimum SC80 1-1/2" or larger round pipe or round steel tubing with comparable dimensions.

Cable Dia: 1/8" and 3/16"



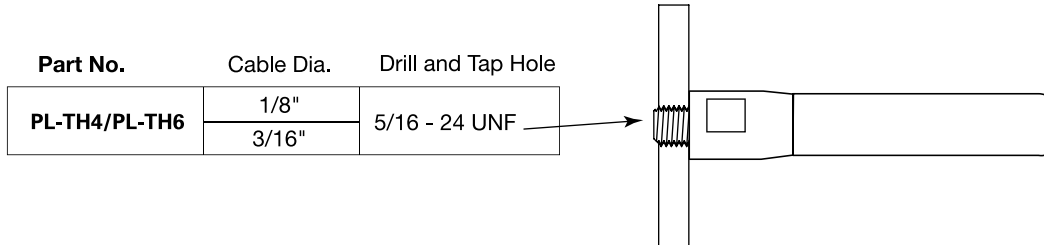
Push-Lock™ or Pull-Lock™ fitting used with 1-1/2" or larger diameter round pipe or comparable tubing.

Cable Diameter	Hole Diameter
1/8"	5/32" (.156")
3/16"	7/32" (.218")
with grommet installed	1/4" (.250")

BORING INSTRUCTIONS

PUSH-LOCK™ THREADED BOLT

Drill and tap holes in end post as indicated below (*see Note).



Construction Material *Note: Recommended minimum wall thicknesses:

Pipe	Minimum Schedule 80
Round Steel Tubing	At least equivalent to Schedule 80 Pipe
Square or Rectangular Structural Steel Tubing	.250"