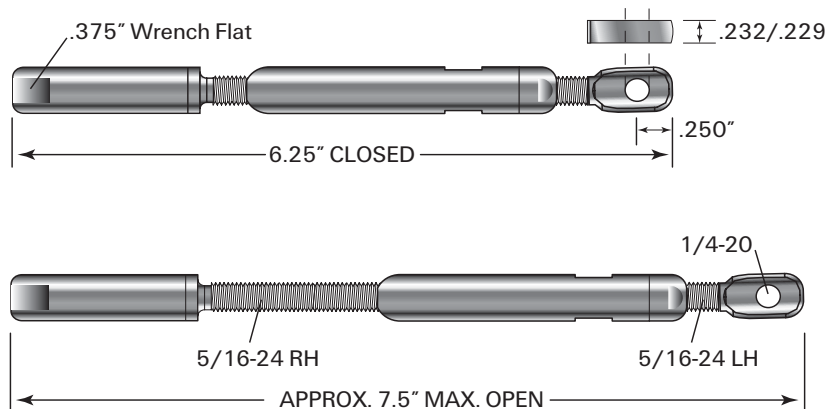
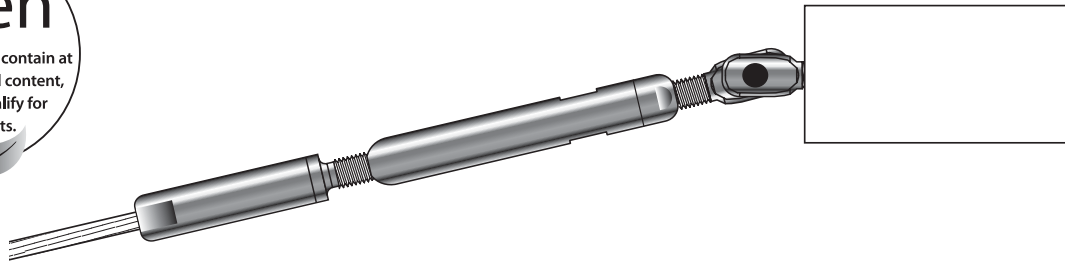


# PUSH-LOCK™ TURNBUCKLE

This totally swageless fitting is the perfect choice where you have a stair or severe pitch and prefer to install the cables entirely by hand, no special equipment required.

Push-Lock™ Turnbuckles are designed for use with 1x19 L.H. lay strand only. After the fitting is attached to your end post, push the cable into the opening in the Push-Lock™ Turnbuckle, where it will be securely held inside. To tension the cable, just hold the end with an open-end wrench to keep the cable from turning and tighten the body with a second open-end wrench. When the cable is tensioned, tighten the lock nut against the body.



**PUSH-LOCK™ TURNBUCKLE**  
 Push-Lock™ fittings are made of type 316 stainless steel,  
 with the exception of internal components that are made of other types of stainless steel.  
**DESIGNED FOR USE WITH 1X19 L.H. STRAND ONLY**

CABLE DIA.	PART NO.	USE WITH MOUNTING SCREW NO.*	OPTIONS FOR MOUNTING TO END POSTS	
			METAL POSTS	WOOD POSTS
1/8"	PL-TB4	SC-6	(Click here to view mounting options for metal posts)	(Click to view lag eyes to use with wood posts)

\*Order SC-6 Screw Separately.

