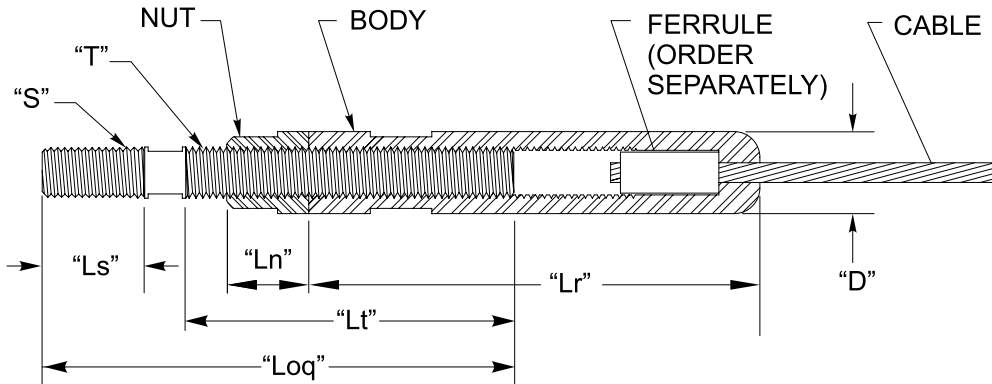


# ADJUST-A-BODY® WITH CONCRETE ANCHOR BOLT TENSIONER

Similar to the Adjust-A-Body® with hanger bolt tensioner, except it screws into a concrete anchor (not included). It's an easy practical way to attach your tensioner to a concrete wall. Adjusts with an open end wrench. Order concrete anchor separately from your local building supply outlet.



## TYPE 316 STAINLESS STEEL

CABLE DIA.	PART NO.	*USE WITH FERRULE NO.	"S"	"T"	"Ls"	"Lt"	"Loq"	"Ln"	"Lr"	"D"	USE WITH "RED HEAD" BRAND CONCRETE ANCHOR	
											CARBON STEEL	STAINLESS
1/8"	A-JAB6	F-4	3/8-16	5/16-24 L.H.	.500"	2.313"	3.188"	.375"	2.75"	.500"	RL-38	SSRM-38
3/16"	A-JAB6	F-6									RL-38	SSRM-38
1/4"	A-JAB8	F-8	1/2-13	7/16-20 L.H.	1.125"	2.500"	3.938"	.500"	3.00"	.625"	RL-12	SSRM-12

\*Order Ferrule Separately.

East Coast Cable Solutions  
 17 Woodside Ave., Thurmont, MD 21788  
 Phone 240-288-8050 • Fax 240-288-8041



**Ultra-tec**  
 CABLE RAILING SYSTEMS