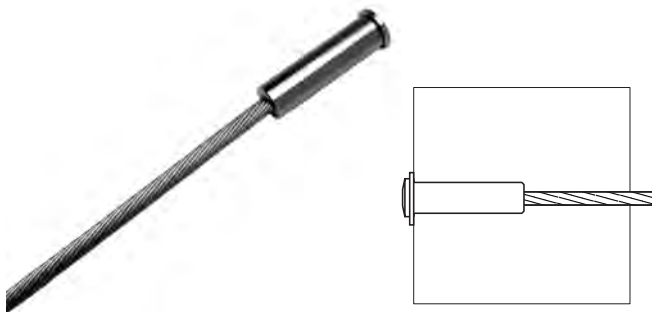


# PUSH-LOCK™ FITTINGS

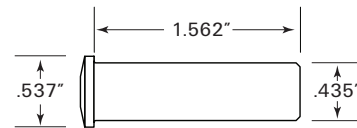
**Push-Lock™** Fittings are installed by hand, to avoid the need to swage fittings in the field. Cables are supplied a little longer than necessary, with tensioners on one end and bare cable on the other end. The tensioners are installed on one end post, then the cables are cut to final length. The Push-Lock™ Fittings are slipped into the other end post or mounted with the tab end to the outside of the post. The cables are then pushed into the Push-Lock™ Fittings by hand. The cables are tensioned, to complete the installation.

## FOR LEVEL RUNS

The PL-4 and PL-6 Push-Lock™ fittings (with rounded ends) are used on level runs. They rest in a hole in the end post. When used with an end post 1-1/2" or more in thickness, **the Push-Lock™ fitting**

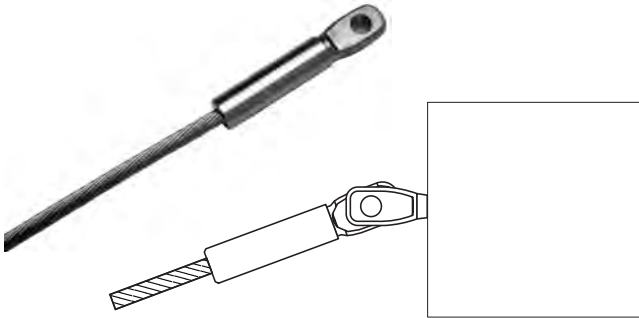


**with a rounded end is hidden inside the end post**, with only the head exposed on the outside of the post. Pipe ends are counterbored, so the full perimeter of the head will rest on a flat surface in the pipe. A plastic washer is included and acts as a scratch resistant barrier between the Push-Lock™ fitting and a metal post. The head rests on the outside wall of a flat-sided metal post or on a stainless steel washer on a wooden post. **For wood applications, also order Part No. 7/16SAE Washer.**

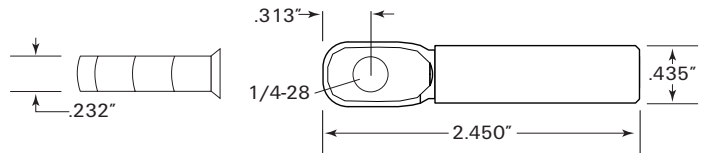


## FOR STAIRS OR SEVERE PITCHES

The PL-TE4 and PL-TE6 Push-Lock™ fittings (with threaded eye ends) are for use on stairs. They attach to



a wood end post with a Part No. LE-6 Lag Eye. See the drawing here to determine how to interface this fitting with a metal end post or use one of our Fixed Tabs or Threaded Tabs. Mount with a Part No. SC-6 Screw.



TYPE 316 STAINLESS STEEL						
CABLE DIA.	PART NO.		USE WITH SCREW NO.	FOR WOOD, USE WITH		FOR METAL RAILINGS, USE WITH MOUNTING TAB
				WASHER NO.	LAG EYE NO.	
1/8"	PL-4	For Flat Runs	NA	7/16SAE	NA	NA
	PL-TE4	For Stairs	SC-6	NA	LE-6	Fixed Tab or Threaded Tab
3/16"	PL-6	For Flat Runs	NA	7/16SAE	NA	NA
	PL-TE6	For Stairs	SC-6	NA	LE-6	Fixed Tab or Threaded Tab

East Coast Cable Solutions  
17 Woodside Ave., Thurmont, MD 21788  
Phone 240-288-8050 • Fax 240-288-8041



**Ultra-tec**  
CABLE RAILING SYSTEMS