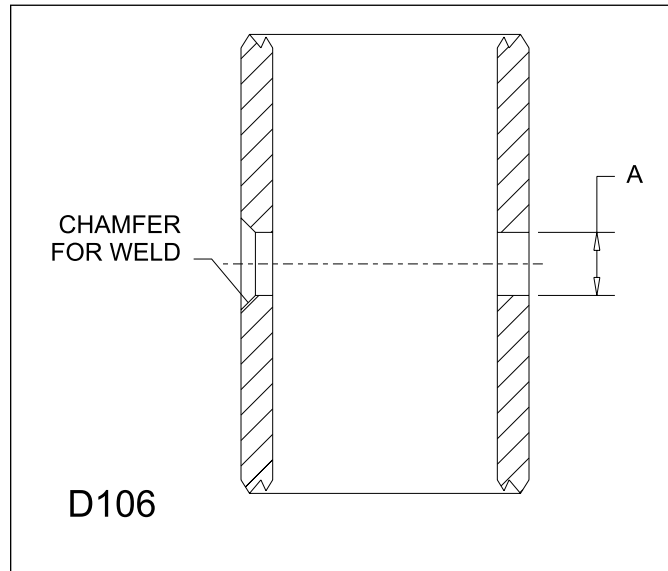


# CORNER SECTION TUBE BORING INSTRUCTIONS AND TUBING SPECIFICATIONS

Note that the inside of the tubing cannot be sealed to prevent moisture inside the tubes. Therefore, we recommend stainless steel tubing for all **exterior** tubed corner section applications, to prevent rust inside the tubing.

Cable Dia.	Tubing Dia.	Wall Thickness	Inside Dia.	<b>A</b> Drilled and Reamed Hole Dia.
1/8"	3/8"	.064"	.209"	25/64" (.377")
3/16"		.065"	.245"	
1/4"		.049"	.277"	
5/16"	7/16"	.035"	.367"	7/16" (.440")
3/8"	1/2"	.042"	.416"	1/2" (.502")

**Boring diagram for post to accept tubes**



**Note: Factory can supply drilled posts, tubing, and top and bottom rail sections for tubed corner sections. Please call for pricing.**