

BORING INSTRUCTIONS

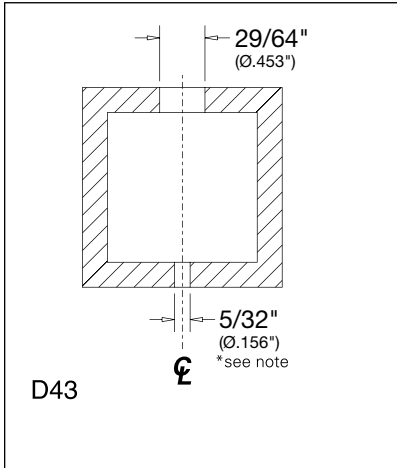
INVISIWARE® RADIUS FERRULE

Used with square or rectangular tubing. We recommend a minimum 1/4" wall.

Part No. RF-4

Cable Dia: 1/8"

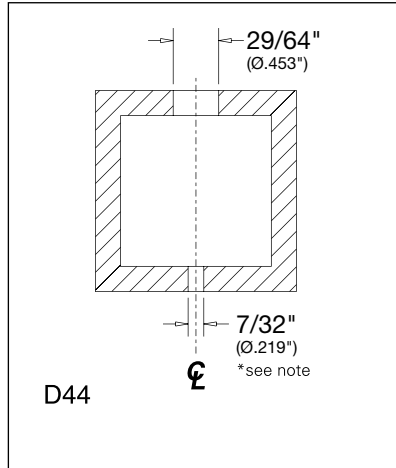
*see note if using grommets



Part No. RF-6

Cable Dia: 3/16"

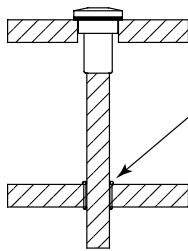
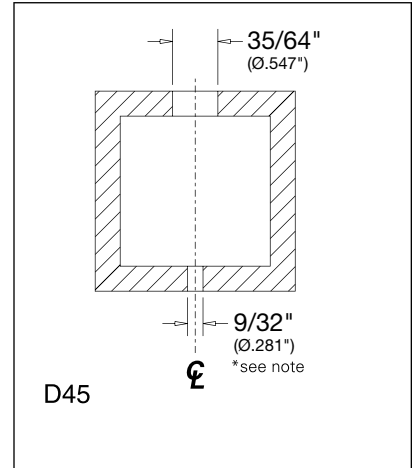
*see note if using grommets



Part No. RF-8

Cable Dia: 1/4"

*see note if using grommets

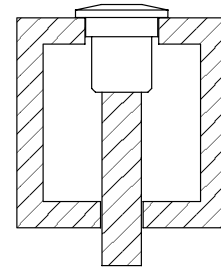


***Note:** If grommets are being used, hole through which cable passes should be drilled as follows:

RF-4: 1/4" (.250")

RF-6: 1/4" (.250")

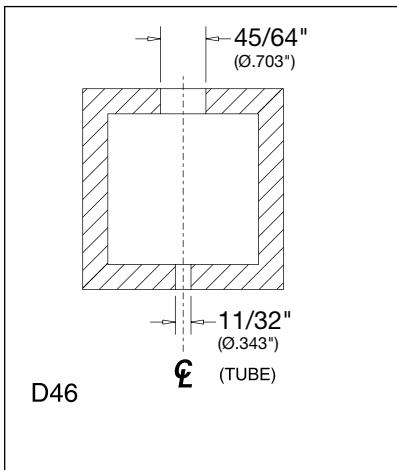
RF-8: 5/16" (.312")



(TUBE)

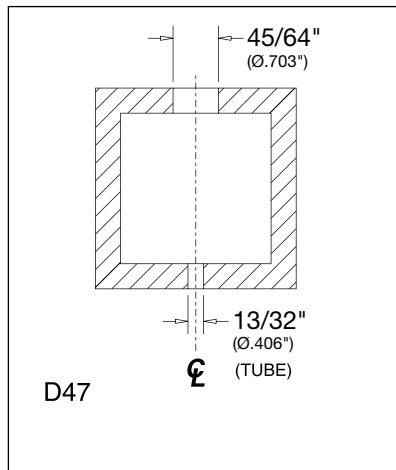
Part No. RF-10

Cable Dia: 5/16"



Part No. RF-12

Cable Dia: 3/8"



Invisiware® Radius Ferrule with square or rectangular tubing.

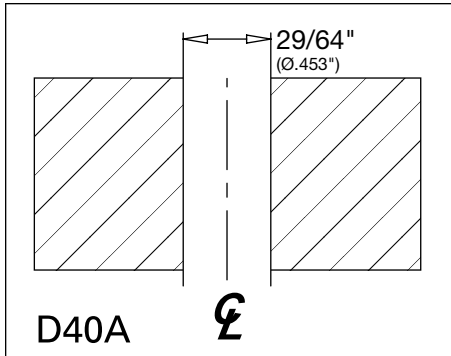
Grommets are not offered for use with RF-10 and RF-12 Radius Ferrules.

BORING INSTRUCTIONS

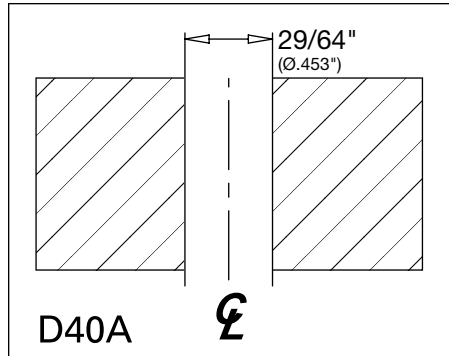
INVISIWARE® RADIUS FERRULE

Used with flat bar or steel plate.

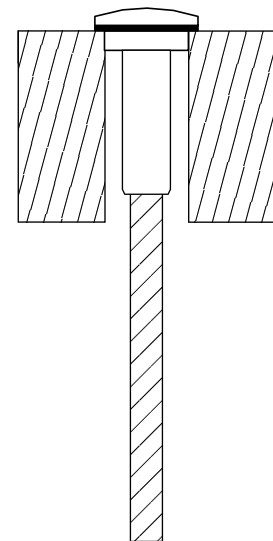
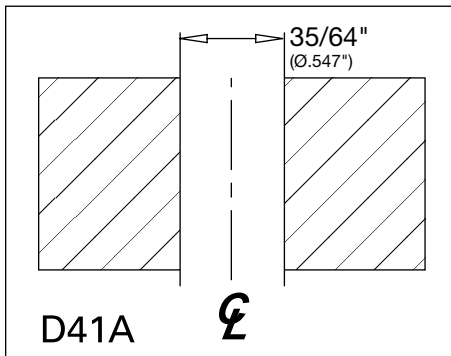
Part No. RF-4
Cable Dia: 1/8"



Part No. RF-6
Cable Dia: 3/16"

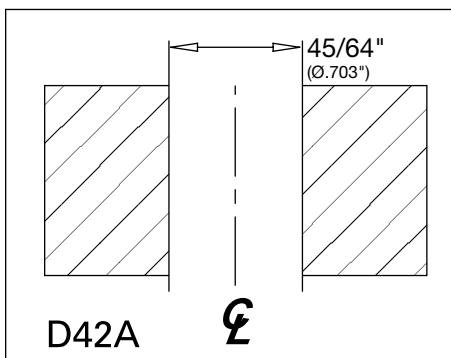


Part No. RF-8
Cable Dia: 1/4"

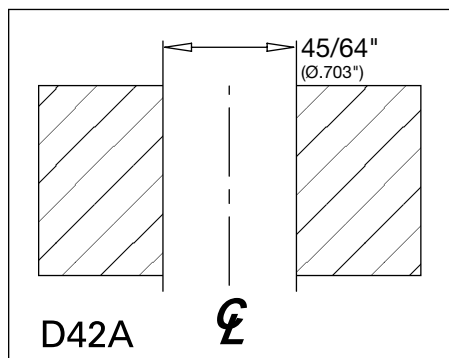


Invisiware® Radius Ferrule
with flat bar or steel plate.

Part No. RF-10
Cable Dia: 5/16"



Part No. RF-12
Cable Dia: 3/8"



BORING INSTRUCTIONS

INVISIWARE® RADIUS FERRULE

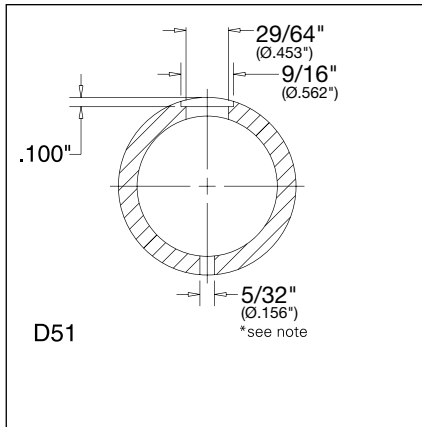
Used with minimum SC80 round pipe or round steel tubing.

If using round steel tubing, wall thickness should be at least comparable to SC80 pipe.

Part No. RF-4

Cable Dia: 1/8"

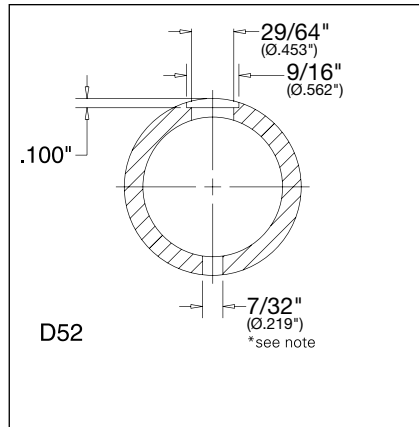
*see note if using grommets



Part No. RF-6

Cable Dia: 3/16"

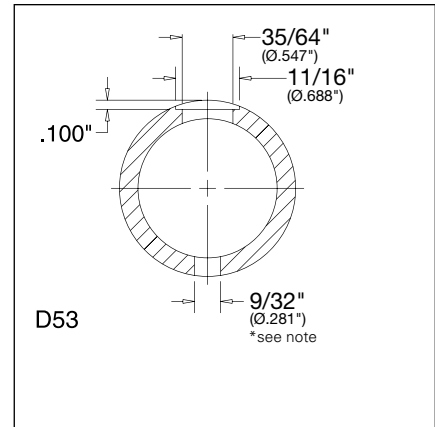
*see note if using grommets



Part No. RF-8

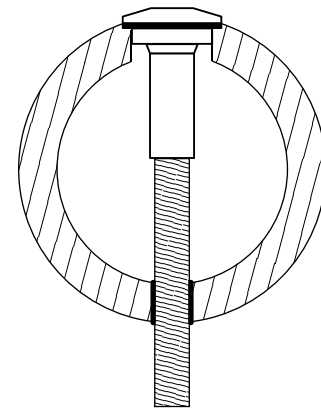
Cable Dia: 1/4"

*see note if using grommets



***Note:** If grommets are being used, hole through which cable passes should be drilled as follows:

- RF-4: 1/4" (.250")
- RF-6: 1/4" (.250")
- RF-8: 5/16" (.312")

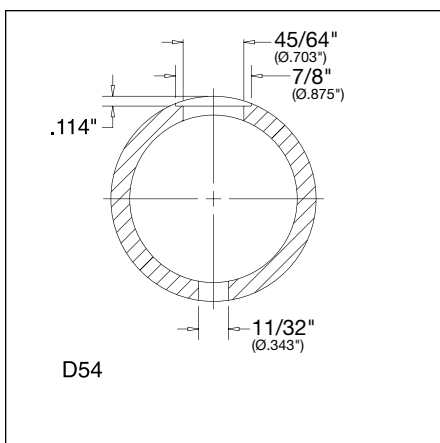


Invisiware® Radius Ferrule with round pipe or round steel tubing.

Grommets are not offered for use with RF-10 and RF-12 Radius Ferrules.

Part No. RF-10

Cable Dia: 5/16"



Part No. RF-12

Cable Dia: 3/8"

