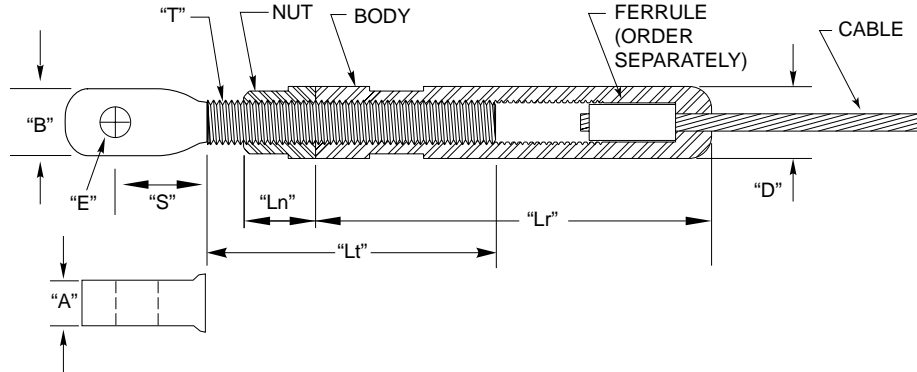


# ADJUST-A-BODY® WITH THREADED EYE TENSIONER

Similar to the Adjust-A-Jaw® tensioner, except it **costs a lot less than the clevis-style Adjust-A-Jaw® tensioner**. See the tabulated drawing to determine how to interface this fitting with your end post, or use our Fixed Tab or Threaded Tab fittings. Tension with an open-end wrench.

**GREEN**

These products contain at least 65% recycled content, qualifying for LEED® credit.



## TYPE 316 STAINLESS STEEL

| CABLE DIA. | PART NUMBER | *USE WITH FERRULE NO. | *USE WITH SCREW NO. | "E" THREAD | "A"         | "B"   | "S"  | "T"             | "Lt"  | "Ln"  | "Lr"  | "D"   |
|------------|-------------|-----------------------|---------------------|------------|-------------|-------|------|-----------------|-------|-------|-------|-------|
| 1/8"       | A-JTE6      | F-4                   | SC-6                | 1/4-28     | .233"/.229" | .500" | .44" | 5/16-24<br>L.H. | 2.00" | .375" | 2.75" | .500" |
| 3/16"      |             | F-6                   |                     |            |             |       |      |                 |       |       |       |       |
| 1/4"       | A-JTE8      | F-8                   | SC-8                | 3/8-24     | .295"/.285" | .844" | .68" | 7/16-20<br>L.H. | 2.50" | .500" | 3.00" | .625" |

\*Order Ferrule and Screw Separately.

East Coast Cable Solutions  
 17 Woodside Ave., Thurmont, MD 21788  
 Phone 240-288-8050 • Fax 240-288-8041



**Ultra-tec®**  
 CABLE RAILING SYSTEMS